

치수 Dimensions						전달된 축 방향의 힘 Transmitted Axial Force	전달된 토크 Transmitted Torque	접촉 압력 Contacting Pressure		DIN912-12.9 잠금 나사 DIN912-12.9 Locking Screw		
Φd	ΦD	L1	L2	L3	L			축 Shaft	허브 Hub	수량 n	규격 Size	잠금 토크 Locking Torque
mm	mm	mm	mm	mm	mm	Ft KN	Mt Nm	P N/mm ²	P1 N/mm ²			Ts Nm
180	235	51	59	84	98	560	50418	180	138	12	M14x45	230
190	250	51	59	84	98	700	66526	213	162	15	M14x45	230
200	260	51	59	84	98	700	70027	202	156	15	M14x45	230
220	285	64	72	100	116	757	83243	158	122	12	M16X60	355
240	305	64	72	100	116	946	113517	182	143	15	M16X60	355
260	325	64	72	100	116	1135	147560	201	161	18	M16X60	355
280	355	75	83	123	141	1226	171582	172	136	16	M18X80	485
300	375	75	83	123	141	1379	206809	181	145	18	M18X80	485
320	405	90	98	142	162	1766	282493	181	143	18	M20X100	690
340	425	90	98	142	162	2060	350180	199	159	21	M20X100	690
360	455	110	118	166	188	2164	389480	161	127	18	M22X110	930
380	475	110	118	166	188	2524	479634	178	142	21	M22X110	930
400	495	110	118	166	188	2524	504878	186	150	21	M22X110	930

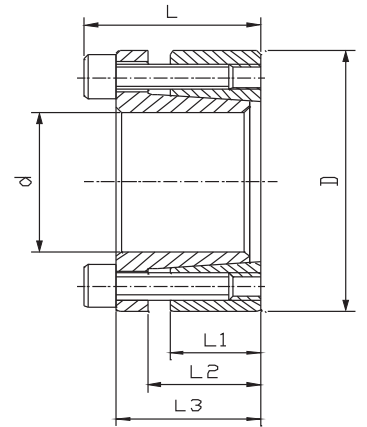
REACH 05

권장치수

Recommended Dimensions:

축 : h8 Shaft: h8

허브 : H8 Hub: H8



치수 Dimensions						전달된 축 방향의 힘 Transmitted Axial Force	전달된 토크 Transmitted Torque	접촉 압력 Contacting Pressure		DIN912-12.9 잠금 나사 DIN912-12.9 Locking Screw		
Φd	ΦD	L1	L2	L3	L			축 Shaft	허브 Hub	수량 n	규격 Size	잠금 토크 Locking Torque
mm	mm	mm	mm	mm	mm	Ft KN	Mt Nm	P N/mm ²	P1 N/mm ²			Ts Nm
19	47	17	22	28	34	29	273	262	106	5	M6x20	13
20	47	17	22	28	34	29	287	249	106	5	M6x20	13
22	47	17	22	28	34	29	316	227	106	5	M6x20	13
24	50	17	22	28	34	34	413	249	120	6	M6x20	13
25	50	17	22	28	34	34	431	239	120	6	M6x20	13
28	55	17	22	28	34	34	482	213	109	6	M6x20	13
30	55	17	22	28	34	34	517	199	109	6	M6x20	13
32	60	17	22	28	34	46	734	249	133	8	M6x20	13
35	60	17	22	28	34	46	803	227	133	8	M6x20	13
38	65	17	22	28	34	46	872	210	122	8	M6x20	13



REACH 05

차수 Dimensions						전달된 축방향의 힘 Transmitted Axial Force	전달된 토크 Transmitted Torque	접촉 압력 Contacting Pressure		DIN912-12.9 잠금 나사 DIN912-12.9 Locking Screw		
Φd	ΦD	L1	L2	L3	L			축 Shaft	허브 Hub	수량 n	규격 Size	잠금 토크 Locking Torque
mm	mm	mm	mm	mm	mm	P	P1	Ts	Nm			
						KN	Nm	N/mm ²	N/mm ²			
40	65	17	22	28	34	46	918	199	122	8	M6x20	13
42	75	20	25	33	41	74	1563	261	146	7	M8x25	32
45	75	20	25	33	41	74	1674	244	146	7	M8x25	32
50	80	20	25	33	41	74	1860	219	137	7	M8x25	32
55	85	20	25	33	41	85	2340	228	148	8	M8x25	32
60	90	20	25	33	41	85	2553	209	139	8	M8x25	32
65	95	20	25	33	41	96	3110	217	149	9	M8x25	32
70	110	24	30	40	50	138	4838	243	154	8	M10x30	36
75	115	24	30	40	50	138	5184	226	148	8	M10x30	65
80	120	24	30	40	50	138	5530	212	142	8	M10x30	65
85	125	24	30	40	50	156	6610	225	153	9	M10x30	65
90	130	24	30	40	50	156	6998	212	147	9	M10x30	65
95	135	24	30	40	50	173	8208	223	157	10	M10x30	65
100	145	26	32	44	56	195	9742	221	152	8	M12x35	110
110	155	26	32	44	56	195	10716	201	143	8	M12x35	110
120	165	26	32	44	56	219	13154	207	151	9	M12x35	110
130	180	34	40	52	64	292	18996	195	141	12	M12x35	110
140	190	34	40	54	68	291	20336	180	133	9	M14x40	170
150	200	34	40	54	68	323	24211	187	140	10	M14x40	170
160	210	34	40	54	68	355	28408	192	147	11	M14x40	170
170	225	44	50	64	78	387	32929	153	115	12	M14x40	170
180	235	44	50	64	78	387	34866	144	110	12	M14x40	170
190	250	44	50	64	78	484	45996	171	130	15	M14x40	170
200	260	44	50	64	78	484	48416	162	125	15	M14x40	170
220	285	50	56	75	91	548	60291	147	113	12	M16x50	275
240	305	50	56	75	91	685	82218	168	132	15	M16x50	275
260	325	50	56	75	91	731	95009	166	133	16	M16x50	275
280	355	60	66	87	105	910	127341	160	126	16	M18x50	385
300	375	60	66	87	105	1023	153479	168	134	18	M18x50	385
320	405	74	81	101	121	1388	222065	140	110	18	M20 × 50	580
340	425	74	81	101	121	1619	275271	153	123	21	M20 × 50	580
360	455	86	94	116	138	1697	305480	131	104	18	M22 × 60	780
380	475	86	94	116	138	1980	376193	145	116	21	M22 × 60	780
400	495	86	94	116	138	1980	395993	137	111	21	M22 × 60	780