

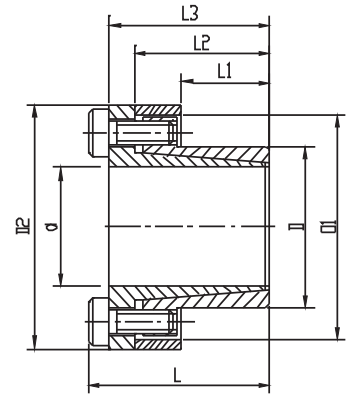
REACH 02

권장 치수

Recommended Dimensions:

축: h8 Shaft: 8

허브: H8 Hub: H8



JB/T 7934 Z11 표준과 유사

Similar to JB/T 7934 Z11 Standard

치수 Dimensions								전달된 축 방향의 힘 Transmitted Axial Force	전달된 토크 Transmitted Torque	접촉 압력 Contacting Pressure		DIN912-12.9 잠금 나사 DIN912-12.9 Locking Screw		
Φd	ΦD	L1	L2	L3	L	ΦD2	ΦD1			축 Shaft	허브 Hub	수량 n	규격 Size	잠금 토크 Locking Torque
mm	mm	mm	mm	mm	mm	mm	mm	KN	Nm	N/mm ²	N/mm ²		Nm	
8	15	12	21	24	28	28	25	10	39	299	159	4	M4x10	5.2
9	16	14	23	27	31	32	28	10	44	227	128	4	M4x12	5.2
10	16	14	23	27	31	32	28	10	49	205	128	4	M4x12	5.2
11	18	14	23	27	31	34	30	10	53	186	114	4	M4x12	5.2
12	18	14	23	27	31	34	30	10	58	171	114	4	M4x12	5.2
14	23	14	23	27	31	39	35	10	68	146	89	4	M4x12	5.2
15	24	16	29	36	42	45	40	16	120	196	123	3	M6x18	17
16	24	16	29	36	42	45	40	16	128	184	123	3	M6x18	17
18	26	18	31	38	44	47	42	21	191	194	134	4	M6x18	17
19	27	18	31	38	44	48	43	21	202	183	129	4	M6x18	17
20	28	18	31	38	44	49	44	21	213	174	124	4	M6x18	17
22	32	25	38	45	51	54	48	21	234	114	78	4	M6x18	17
24	34	25	38	45	51	56	50	21	255	105	74	4	M6x18	17
25	34	25	38	45	51	56	50	21	266	100	74	4	M6x18	17
28	39	25	38	45	51	61	55	27	373	112	81	5	M6x18	17
30	41	25	38	45	51	63	57	32	480	126	92	6	M6x18	17
32	43	30	43	50	56	65	59	32	511	98	73	6	M6x18	17
35	47	30	43	50	56	69	63	43	747	120	89	8	M6x18	17
38	50	30	43	50	56	72	66	43	811	110	84	8	M6x18	17
40	53	32	45	52	58	75	69	48	959	110	83	9	M6x18	17
42	55	32	45	52	58	77	71	48	1007	105	80	9	M6x18	17
45	59	40	56	64	72	85	79	79	1781	130	99	8	M8x22	42
48	62	40	56	64	72	88	82	79	1900	122	94	8	M8x22	42
50	65	50	66	74	82	92	85	99	2473	117	90	10	M8x22	42
55	71	50	66	74	82	98	91	99	2721	106	82	10	M8x22	42
60	77	50	66	74	82	104	97	99	2968	97	76	10	M8x22	42
65	84	50	66	74	82	111	104	99	3215	90	69	10	M8x22	42
70	90	60	80	91	101	122	115	127	4430	89	69	8	M10x25	84
75	95	60	80	91	101	126	119	142	5338	93	74	9	M10x25	84
80	100	65	85	96	106	131	124	190	7595	108	86	12	M10x25	84
85	106	65	85	96	106	137	130	190	8069	101	81	12	M10x25	84
90	112	65	85	96	106	143	136	222	9968	112	90	14	M10x25	84
95	120	65	85	96	106	153	144	222	10522	106	84	14	M10x25	84
100	125	65	89	102	114	162	153	273	13651	124	99	12	M12x30	145
110	140	70	94	107	119	177	168	273	15016	105	82	12	M12x30	145
120	155	90	114	127	139	195	185	364	21844	99	77	16	M12x30	145
130	165	90	114	127	139	205	195	364	23664	92	72	16	M12x30	145
140	175	90	114	127	139	215	205	364	25485	85	68	16	M12x30	145
150	185	90	114	127	139	225	215	364	27305	80	64	16	M12x30	145